

N2032光电倍增管 76mm/(3")/Head-on type/8 stage



技术参数 Technical Specification

玻璃材料/Window material		硼硅玻璃/ Borosilicate glass			
光电阴极/Photocathode		双碱/Bi-alkali			
倍增结构/Multiplier structure		盒栅+线性/ Box and Linear focused			
		Min	Typ.	Max	Unit
阴极参数 Cathode Sensitivity	光谱范围/Spectral range	300-650			nm
	QE峰值波长/Peak wavelength		380		nm
	蓝光灵敏度/Blue sensitivity	10	11.5		μ A/lmf
阳极参数 Anode Sensitivity	阳极光照灵敏度/For an anode sensitivity of	10	30		A/lm
	工作电压/Supply voltage		1000		V
	增益/Gain		2.73×10^5		--
	能量分辨率(CS-137)/Energy resolution		8		%
	暗电流/Anode dark current		2	10	nA
	上升时间/Rise time		6		ns

应用领域

Application

辐射测量

Radiation measurement

核医学仪器

Nuclear medicine instruments

产品特点

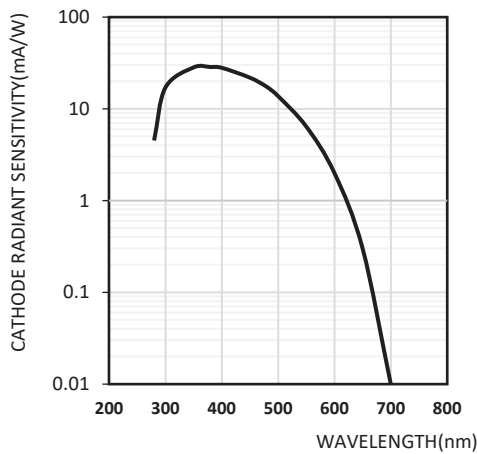
Features

能量分辨率好

High energy resolution

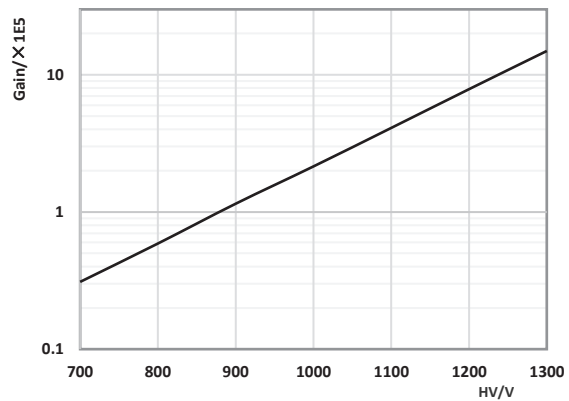
高收集效率

High collection efficiency



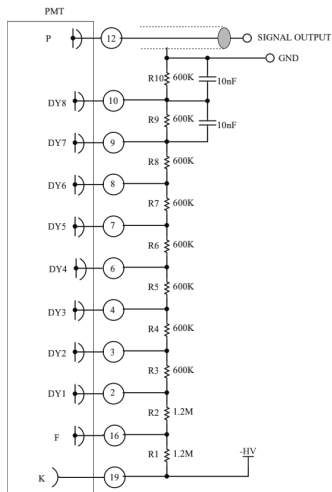
典型光谱响应曲线

Typical spectral response curve



典型增益曲线

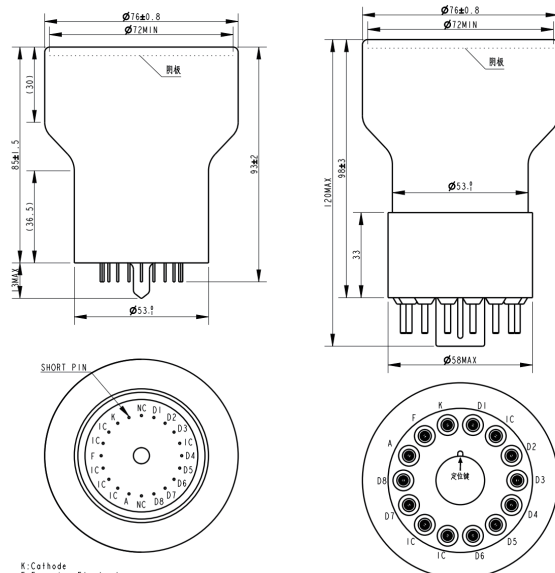
Typical gain curve



电极	K	Dy1	Dy2	Dy3	Dy4	Dy5	Dy6	Dy7	Dy8	A
分压比	2	2	1	1	1	1	1	1	1	1

K: 阴极; Dy: 打拿极; A: 阳极

N2032型光电倍增管分压比图
N2032 PMT voltage distribution ratio



K: Cathode
F: Focusing Electrode
Dy: Dynode
A: Anode
IC: Internal Connection
NC: Not Connected

N2032型光电倍增管结构图
N2032 PMT structure